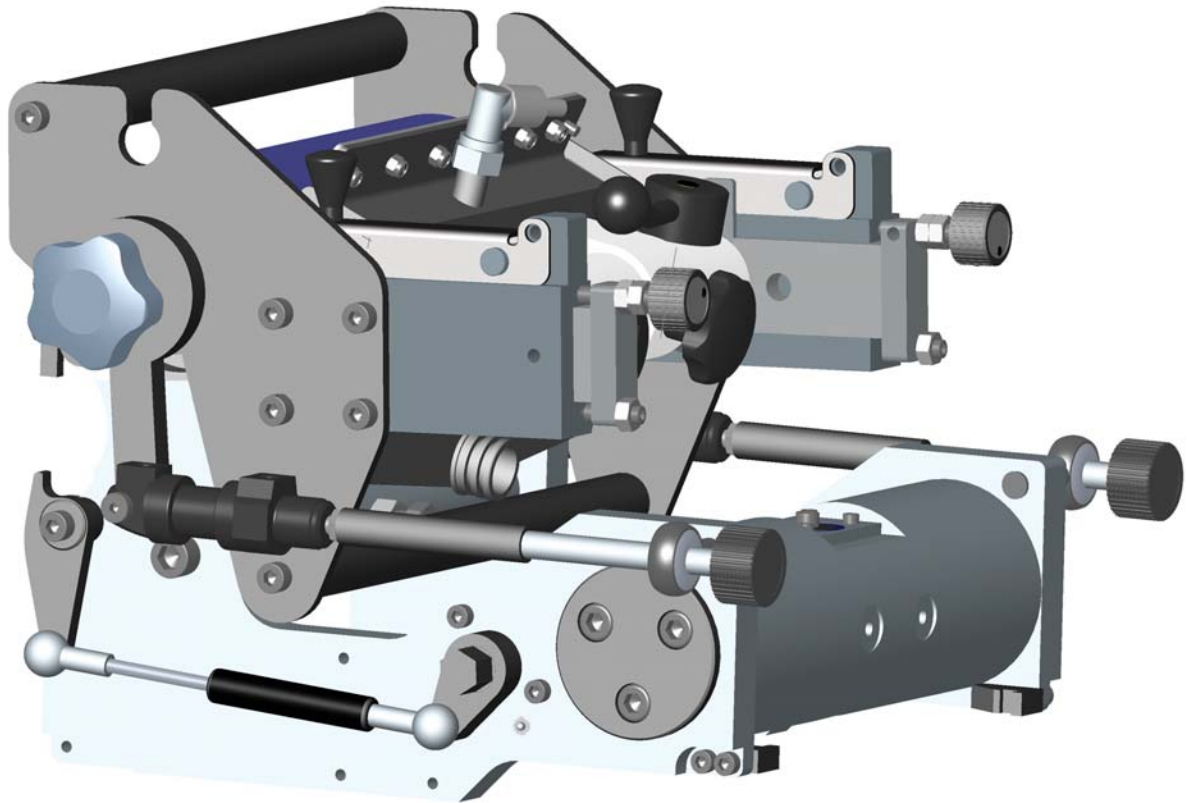


FlexoArt UV-FLEXO Print Head

Flexographic perfection



The FlexoArt UV-FLEXO Printing Unit enables a unique combination of letter press-, rotary screen- and UV-flexo printing for gallus® R160/R200.

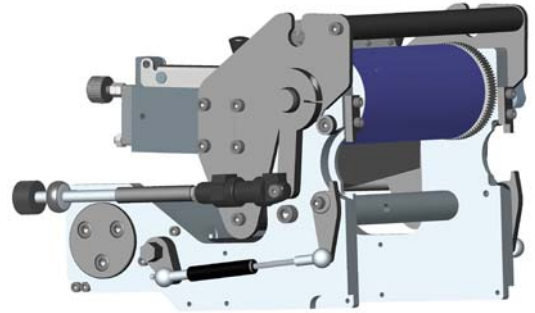
Excellent printing - Cost effective - Easy integration

- **Easy handling.** Simple installation and quick change of anilox roller.
- **Left and right.** Easy change from left to right hand printing unit with a 180° turning of anilox with no tools required.
- **Chamber system.** The unique doctor blade system allows exact ink supply and easy cleaning.
- **Perfect printing.** Even on materials with rough surface e.g. wine labels.
- **Unifit.** Easy to integrate and replace your existing letterpress or rotary screen unit in any printing position on a gallus® machine.
- **Complete kit.** Delivered as a complete kit containing all necessary parts to convert to real UV-flexo printing system.

FlexoArt
Graphic Systems

Technical data

Printing width	175/205 mm
Printing length	Max 457.20 mm (18") Min 234.95 mm (9.25")
Printing length increment	3.175 mm (1/8")

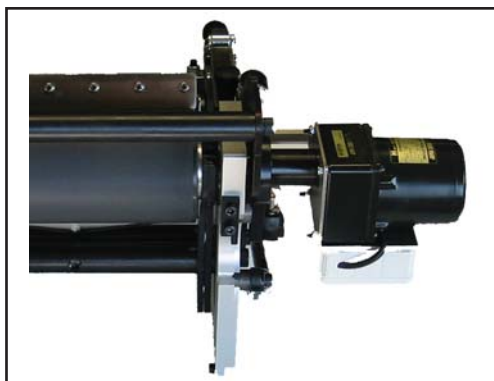


Complete kit



- *Steel impression cylinder*
- *Pneumatic cylinder for automatic on/off impression*
- *Air hoses and connections*
- *Patented doctor blade chamber system*
- *Ceramic anilox roller*
- *Ink pot lid and holder*
- *Drip plate*

Extra options



Idle drive. Enables printing with water based ink. Fully integrated.



Cold foil unit. Enables cold foil printing with your R160/200 unit.