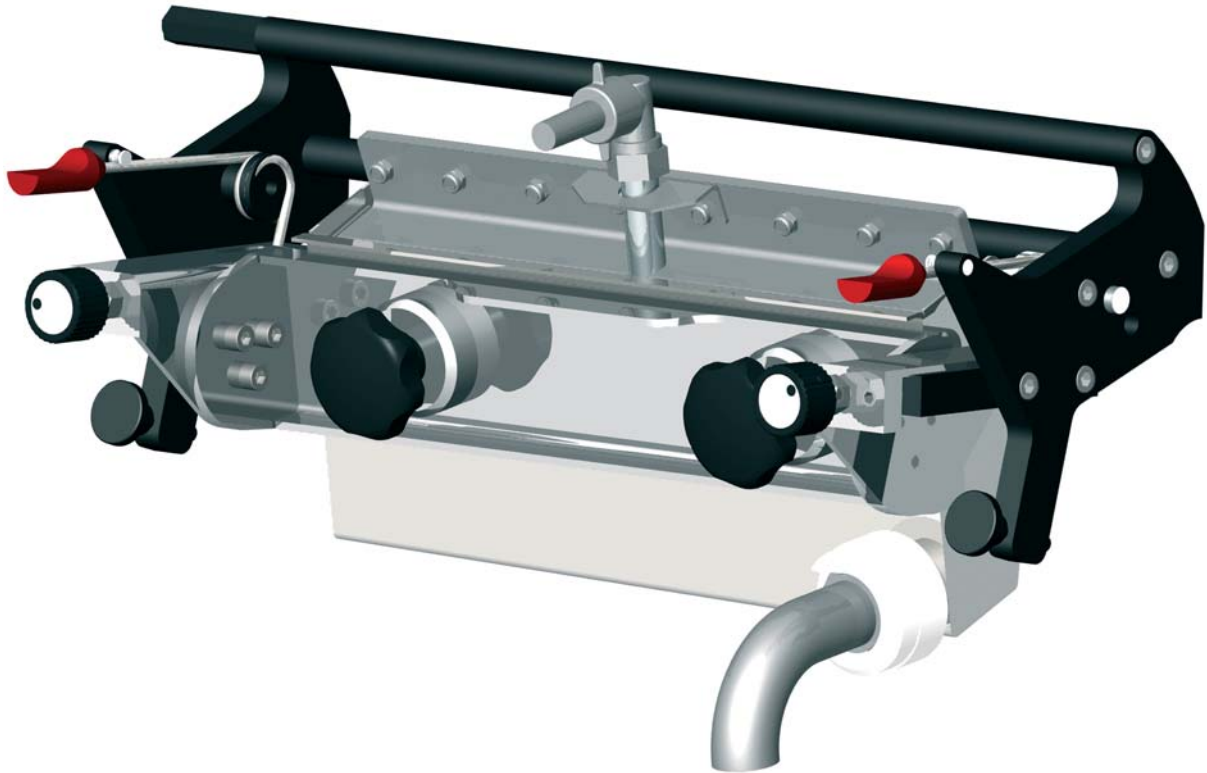


# Doctoring Chamber System

Flexographic perfection for EM280



The FlexoArt doctoring chamber unit enables a unique combination of high speed quality printing and easy handling for Gallus EM280.

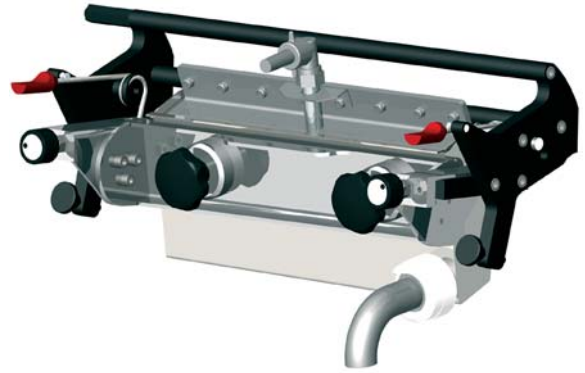
## Excellent high speed printing - Easy integration

- High speed printing with rigid patented construction which eliminates vibration problems regardless speed.
- Replaces both existing fountain roller and open ink tray.
- Low cost consumables with FlexoArt special end-seals and GripTite<sup>®</sup> doctor blade system.
- Delivered as a complete kit containing all necessary parts. 100% compatible – no modifications required on press.
- Trouble-free full cover printing even with problematical ink.
- Use existing pump and hose – no hidden additional costs!

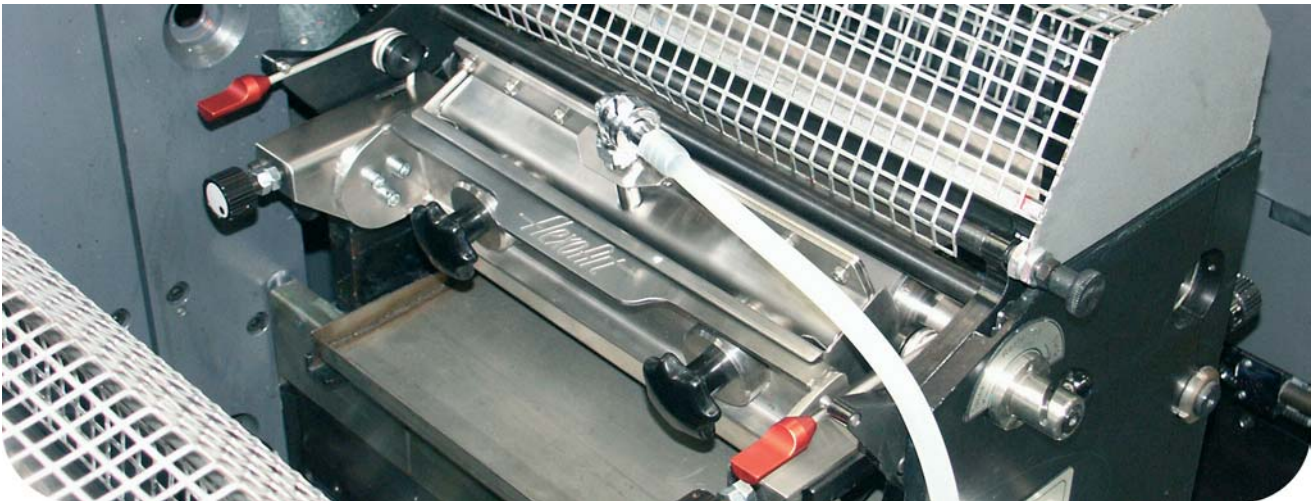
**FlexoArt**  
Graphic Systems

## Technical data

|                               |   |
|-------------------------------|---|
| <b>Print width</b>            | 280 mm                                    |
| <b>Print length</b>           | Max 457.20 mm (18")<br>Min 203.20 mm (8") |
| <b>Print length increment</b> | 3.175 mm (1/8")                           |
| <b>Print speed</b>            | 20 – 150 m/min                            |



## Simple installation



## Complete kit for rapid start up

|                                     |                               |
|-------------------------------------|-------------------------------|
| 1 Rigid patented chamber suspension | 1 Detailed instruction manual |
| 1 Inner and outer chamber           | 1 Splash tray                 |
| 2 Inlet pipes                       | 4 End-seal holders            |
| 1 Quick connector for outlet        | 12 End-seals                  |
| 1 Angled outlet pipe and dummy      | 12 Doctor blades              |
| 4 Cover plates                      | 1 Cleaning tool               |