



## "MAGNUM" - 2 Speed Gear Box



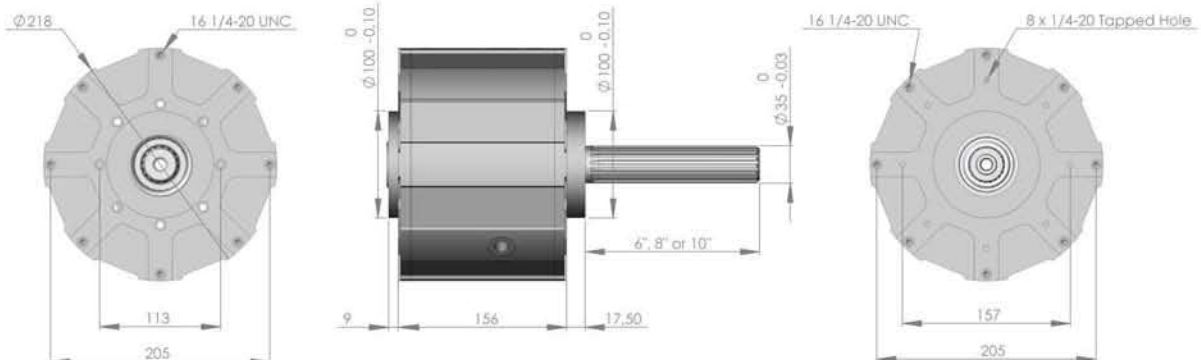
### Unique Design - Extreme Features

- Replaceable gear ratios
- Rigid design with billet case
- Enables unique design with "big inside clutch"
- Complete "clutch - gear box" solutions available
- Easy to replace from basic model
- Includes SS-Sprag with bushing



## Technical data

Planetary gear	Self adjusting 6 plate clutch
Housing	Billet aluminium 6082-T6
Gear ratio	
Low gear	1.37, 1.34, 1.30 and 1.28
High gear	Direct drive
Air pressure	10 bar / 140 psi
Oil volume	0.3 l
Weight	17.0 kg / 37.5 lbs



Local distributor: