

Flow chart, Dual pump solution, TX25 with reverse valve+TX70 = NORMAL OPERATION

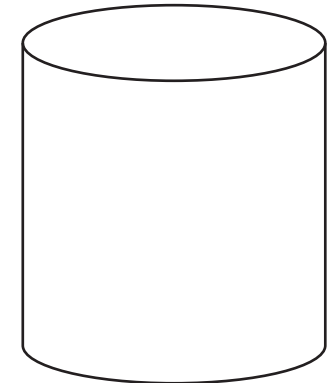
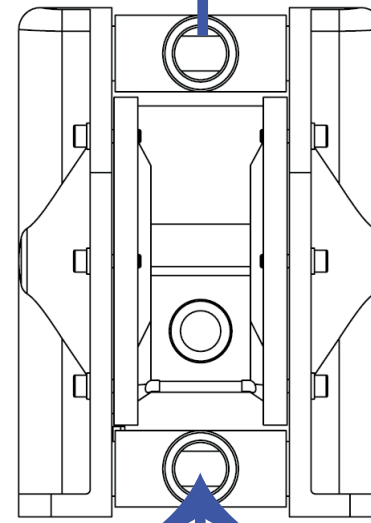
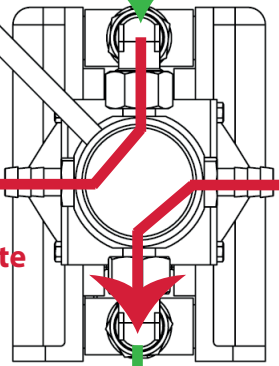
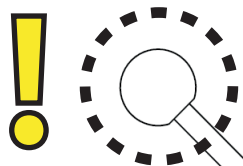
Chamber system
INK OUTLET

< 78,0 liters/minute

Pump internal flow

Chamber system
INK INLET

< 25 liters/minute



Chamber system

TX25 pump +
Reverse valve

TX70 pump

External ink tank

Flow chart, Dual pump solution, TX25 with reverse valve+TX70 = EMPTYING CHAMBER

